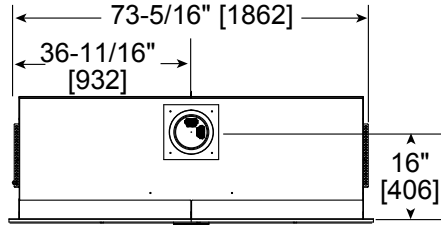




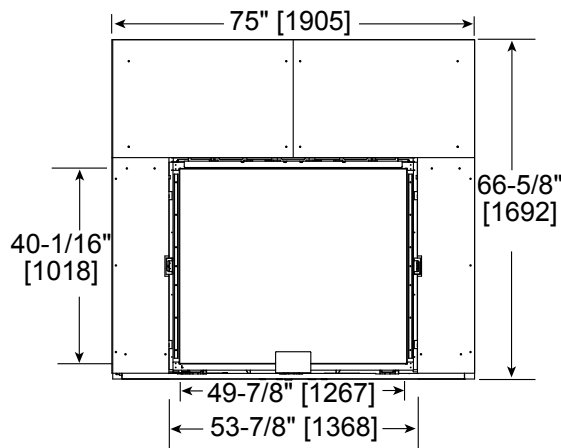
Please consult the manufacturer's installation manual for all details and requirements before making a final design layout decision.

True
50" Direct Vent Gas Fireplace

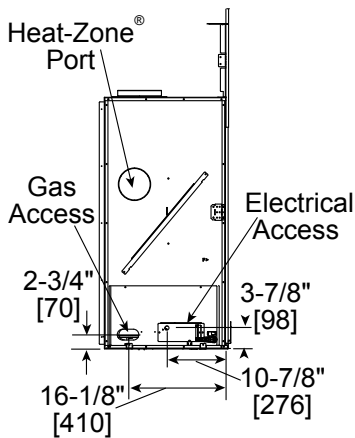
MODEL	FRONT WIDTH		BACK WIDTH		HEIGHT		DEPTH		GLASS SIZE
	Actual	Framing	Actual	Framing	Actual	Framing	Actual	Framing	
TRUE-50	75	73-9/16	73-5/16	73-9/16	66-5/8	65	24	24	49-7/8 x 40-1/16



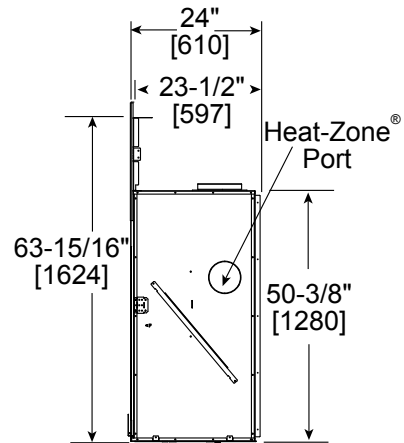
Top



Front

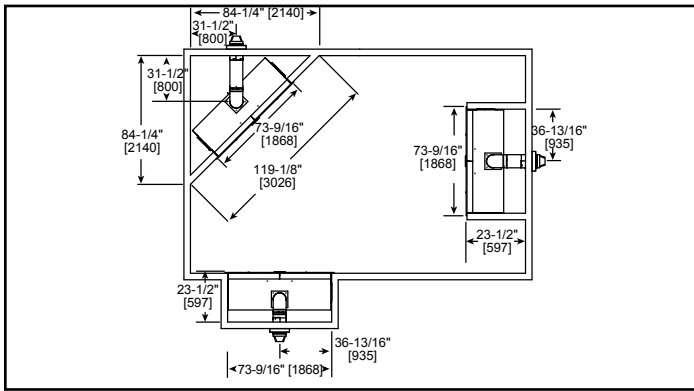


Left

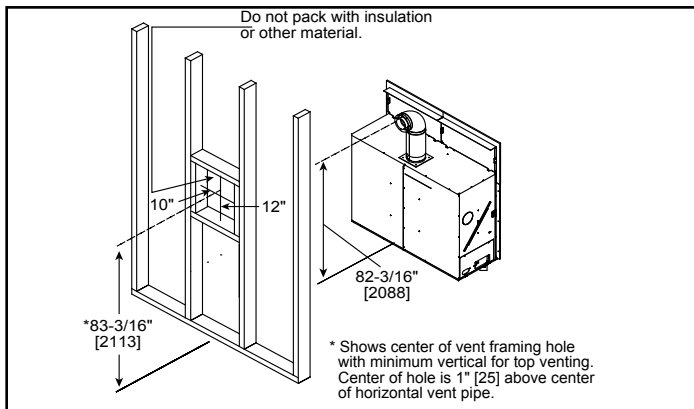


Right

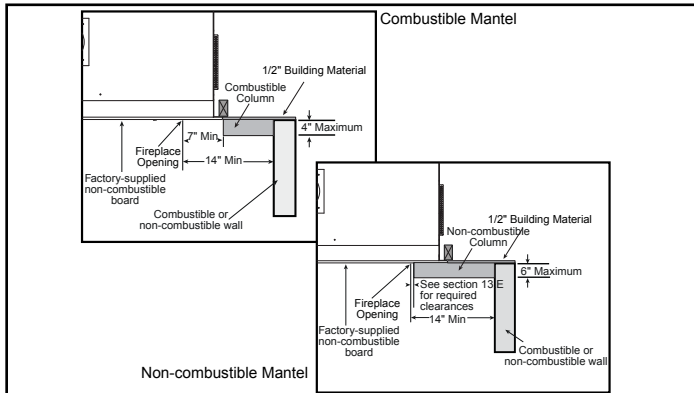
APPLIANCE LOCATION



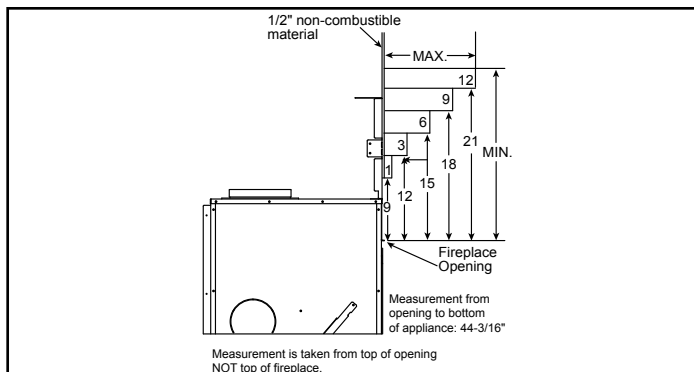
WALL PENETRATION



MANTEL LEG/WALL PROJECTIONS

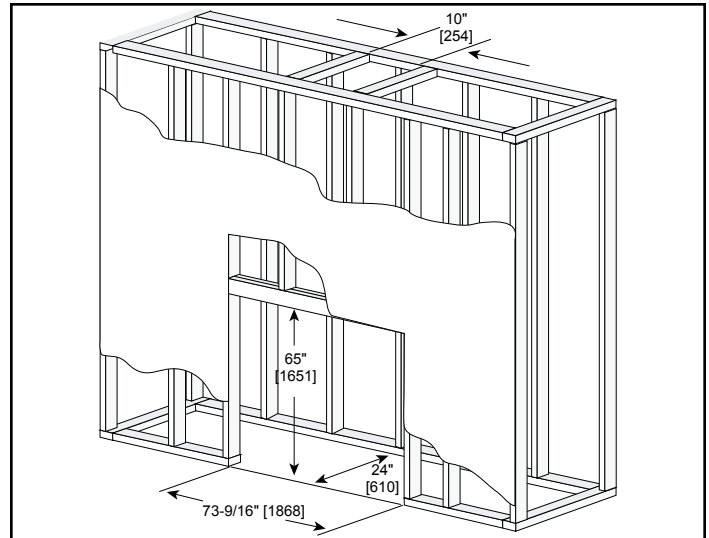


MANTEL PROJECTIONS

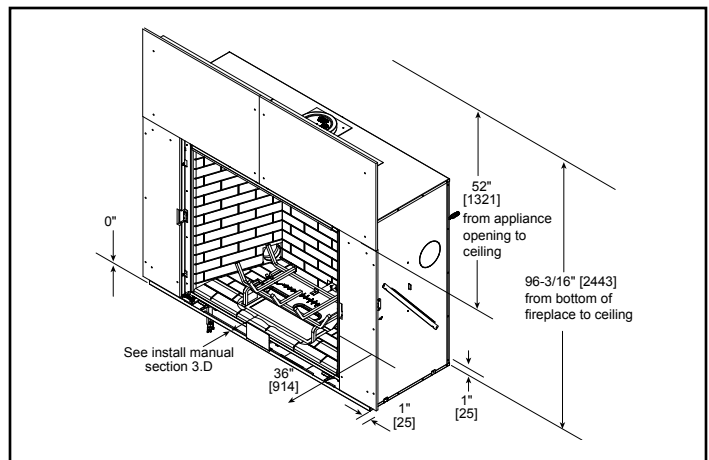


Combustible Mantel Projections. See installation manual for Non-combustible Mantel Projections

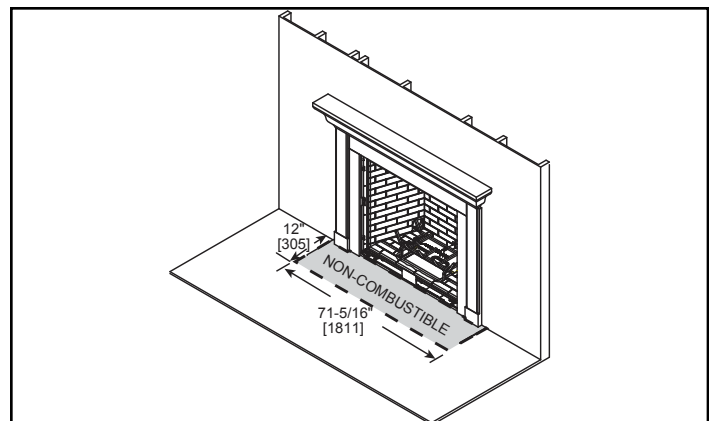
FRAMING DIMENSION



CLEARANCES TO COMBUSTIBLES



HEARTH EXTENSION



PRODUCT LISTING CODES

US	ANSI Z21.88b-2009
CAN	CSA 2.33a-2009
	UL307B

Product information provided is not complete and is subject to change without notice. Product installation must adhere strictly to instructions accompanying product to avoid risk of fire and potential injury.

Additional information can be found online at www.heatnglo.com