



UNIVERSA
UNIVERSIS
PATAVINA
LIBERTAS

UNIVERSITÀ DEGLI STUDI DI PADOVA

DIPARTIMENTO DI INGEGNERIA CIVILE, EDILE E AMBIENTALE
Laboratorio Sperimentale per le Prove sui Materiali da Costruzione
DEPARTMENT OF CIVIL, ENVIRONMENTAL AND ARCHITECTURAL ENGINEERING
Building materials testing Laboratory

Sede: via Marzolo n. 11/A - 35131 PADOVA
Segreteria: +39.049.827.5607

Fax: +39.049.827.5587
e-mail: lab.materiali@dicea.unipd.it

TEST REPORT N. 36164

Page 1/2

- Applicant:** Eterno Ivica S.r.l., via Austria Z.I. n. 25/E - Padova
- Application:** Received at 09/12/2013
- Material:** 3 samples of pedestal "ETERNO SE0" series, received at 09/12/2013.
The "ETERNO SE0" is an adjustable pedestal for raised floors. It is composed by a cylindrical base element (B0), an intermediate screw element (V0) threaded on the base. The intermediate screw element has a concave housing at the top for the self-levelling head element.
- Required test:** Measure the maximum compressive load of the specimen and the displacement of the testing machine's crossbar.
- Testing method:** The compression tests were made for all the 3 samples. The components of the pedestal had been assembled and the four tabs removed, the height of pedestal was regulated to the medium (33.0 mm) stroke of the screw.
Testing speed set to 10 mm/min (checking movement of moving crossbar of the universal testing machine Galdabini, type Sun/60, with a load capacity of 600 kN).
The load applied with two hardened steel plate at the centred on the pedestal.
The values of maximum load (F_{max}) are the values of load at first failure/rupture.
The testing machine's certificate of calibration is n°016-14F about Calibration centre LAT n° 34 with due data January 14th, 2015.
Test activities were carried out on February 6th, 2014.
For any technical and dimensional detail, assembling scheme and any other information not included in this document, brochures and technical data sheets are at Applicant's disposal.

Test Result

Specimen	Max Load F_{max} [kN]	Stroke at F_{max} [mm]
1	19.68	4.8
2	21.80	4.9
3	18.31	4.8

Padova, February 6th, 2014

Laboratory Chief
(Prof. **Claudio Modena**)

Department Chief
(Prof. **Carmelo Majorana**)



TEST REPORT N. 36164

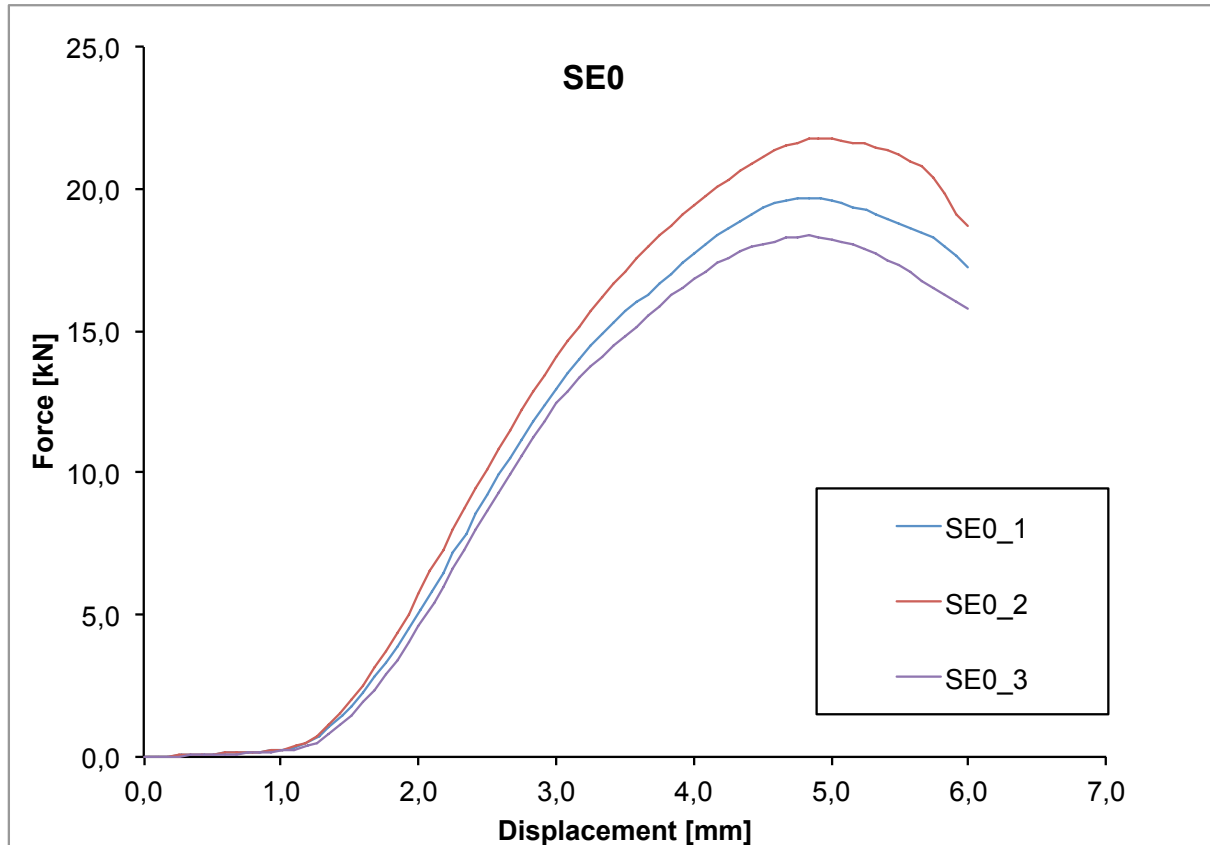


Figure 1 Diagram force versus displacement of testing machine's crossbar for "ETERNO SE0" specimen.

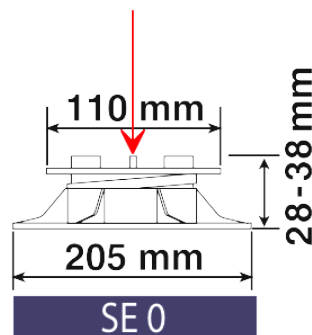


Figure 2 Typical "ETERNO SE0" specimen.

Padova, February 6th, 2014

Laboratory Chief
(Prof. **Claudio Modena**)

Department Chief
(Prof. **Carmelo Majorana**)