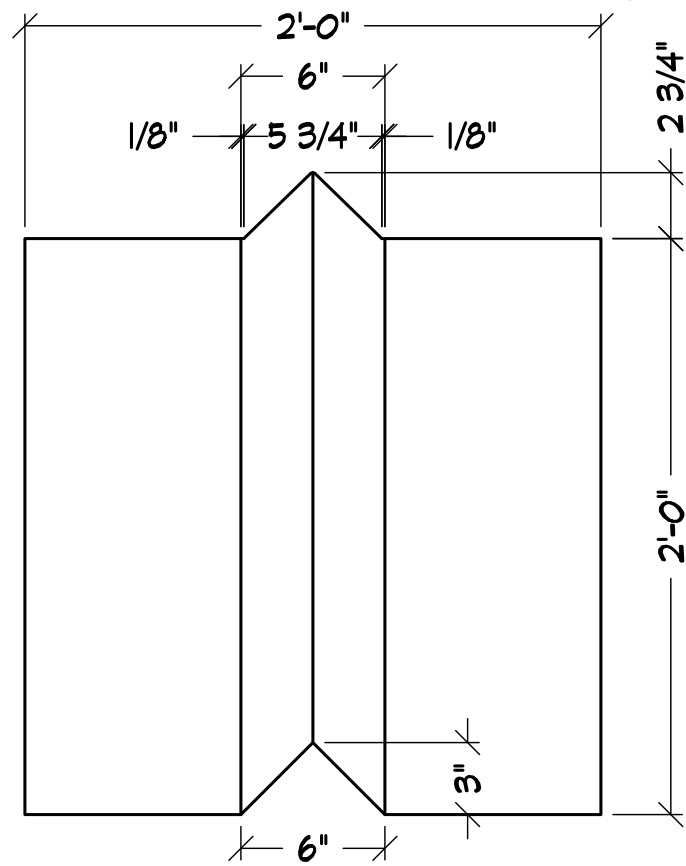
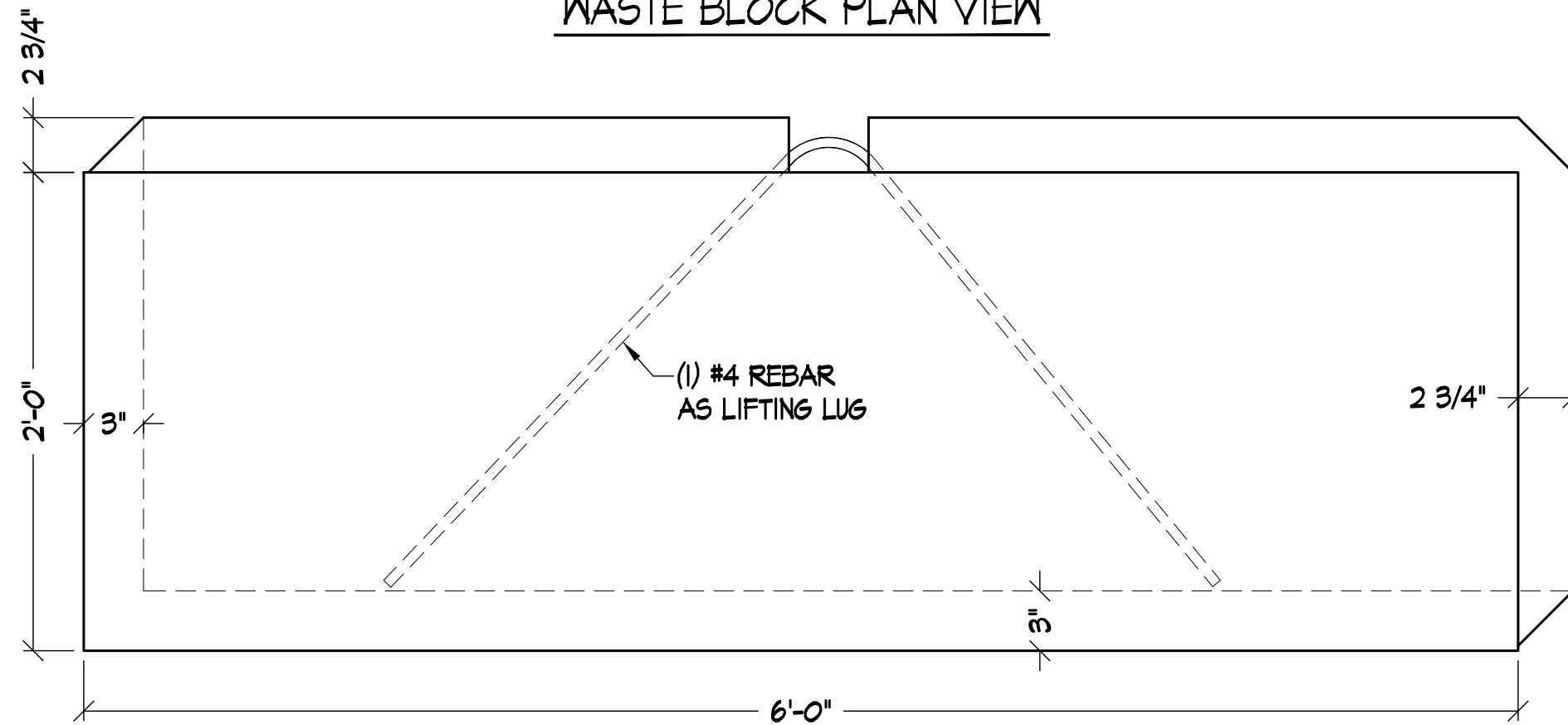



WASTE BLOCK PLAN VIEW



WASTE BLOCK END VIEW



WASTE BLOCK ELEVATION

		4600 Devitt Drive Cincinnati, Ohio 45246		Phone: (513) 874-2345 Fax: (513) 874-2520	
		CUBIC FT. 23.9798		Mold No.	
6' WASTE BLOCK		WEIGHT: 3,453 lbs.		Part No. 189000601	