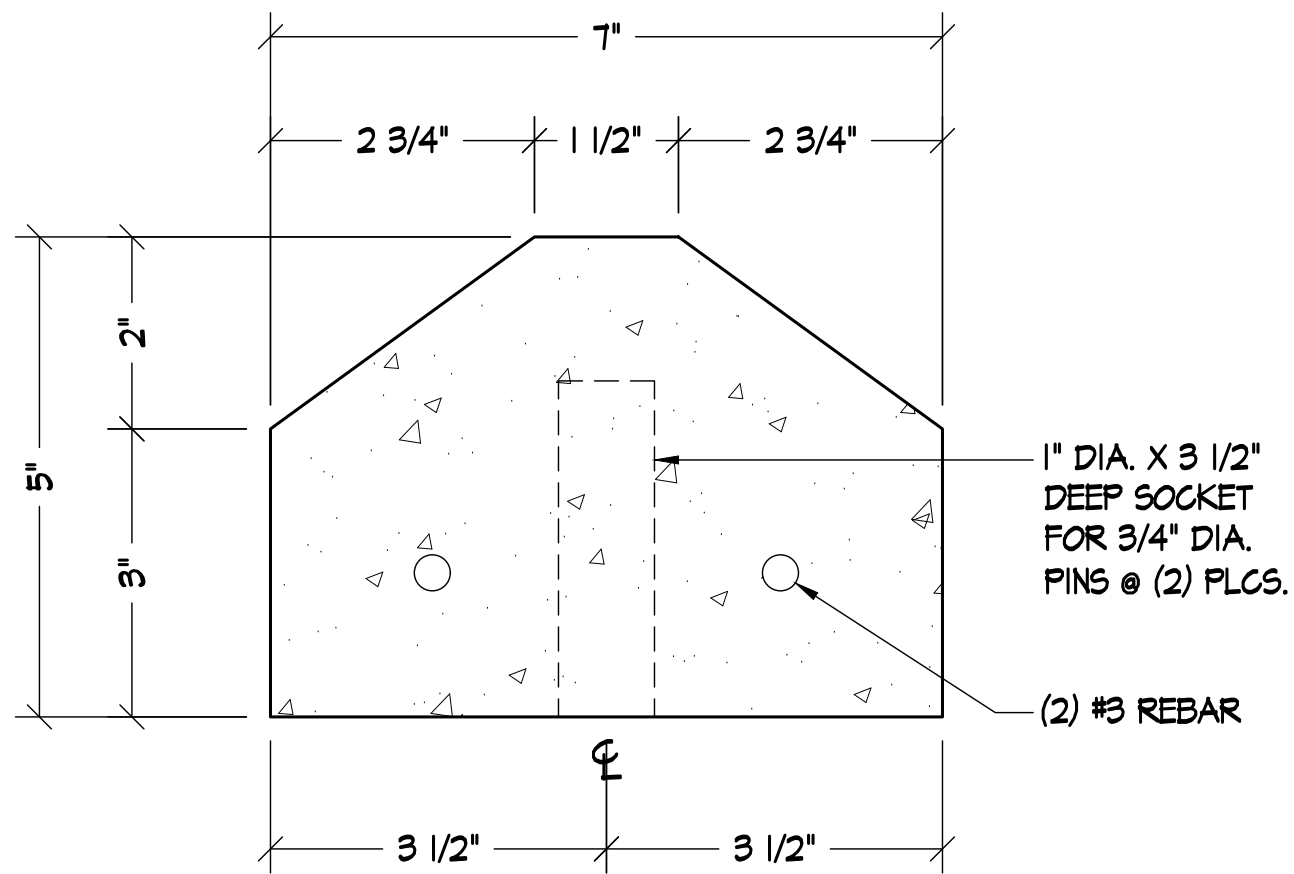
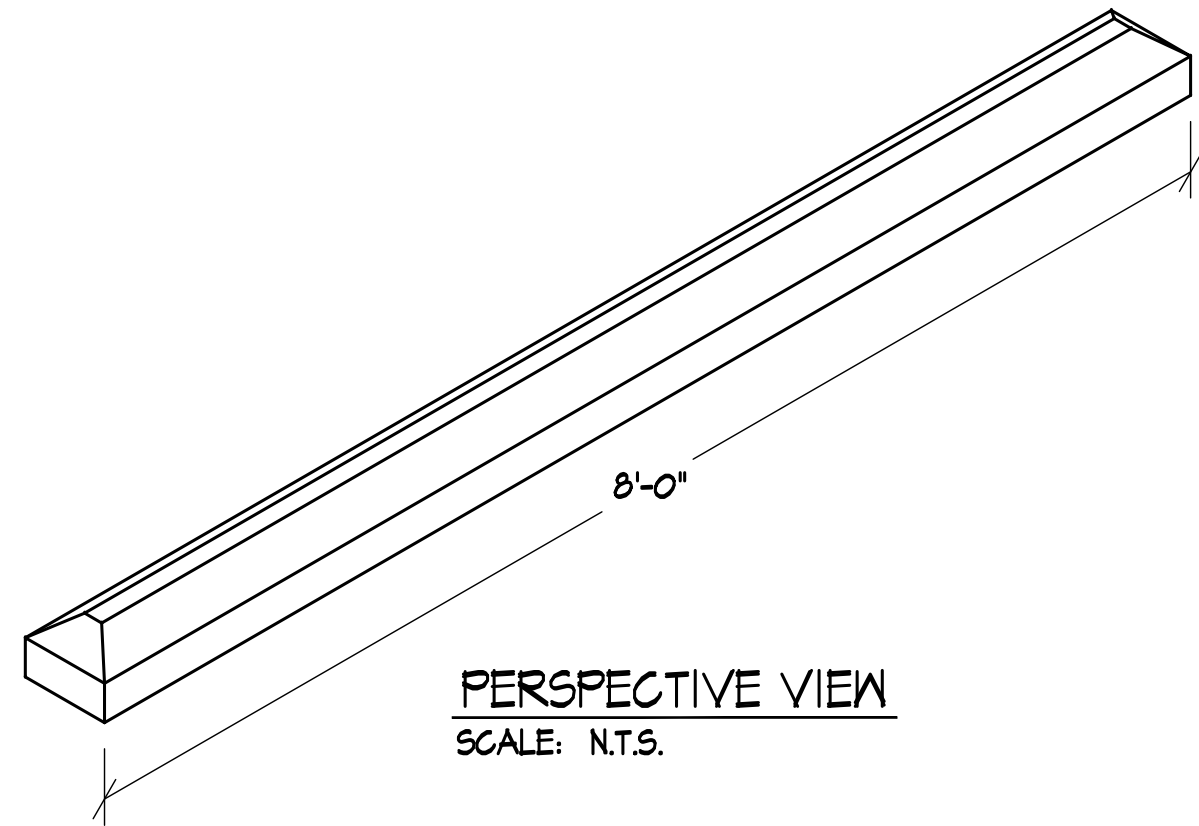


CURB ELEVATION
SCALE: 1 1/2" = 1'-0"



SECTION "A-A"
SCALE: HALF



PERSPECTIVE VIEW
SCALE: N.T.S.

1" DIA. X 3 1/2"
DEEP SOCKET
FOR 3/4" DIA.
PINS @ (2) PLCS.

(2) #3 REBAR

STANDARD 8' CURB



4600 Devitt Drive
Cincinnati, Ohio 45246

Phone: (513) 874-2345
Fax: (513) 874-2520

CUBIC FT. 1.6292

WEIGHT: 235 lbs.

Mold No.

CU-001

Part No.

B29012001