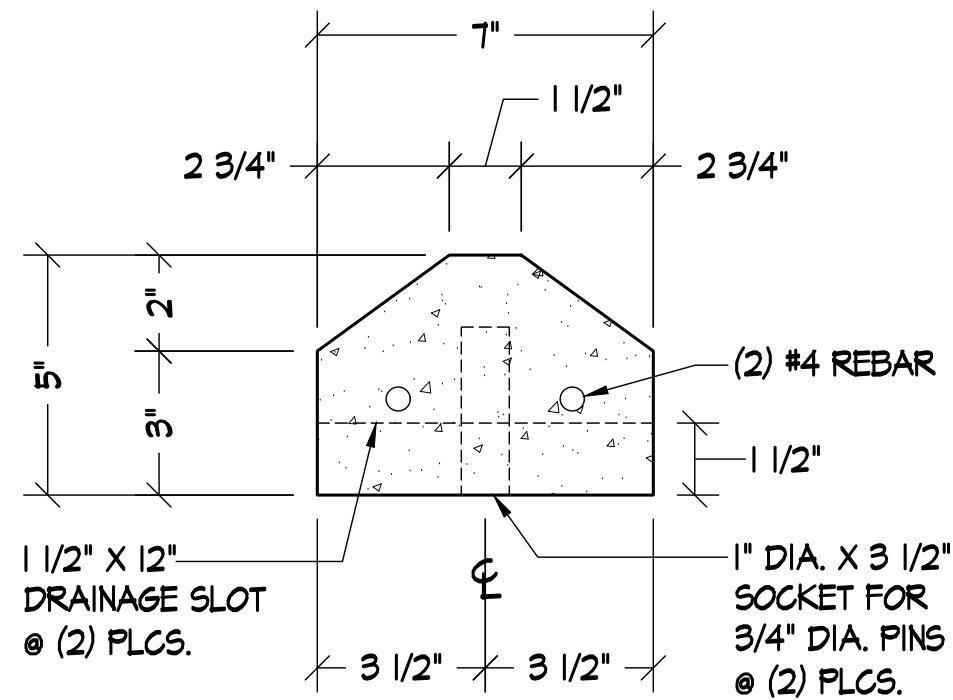
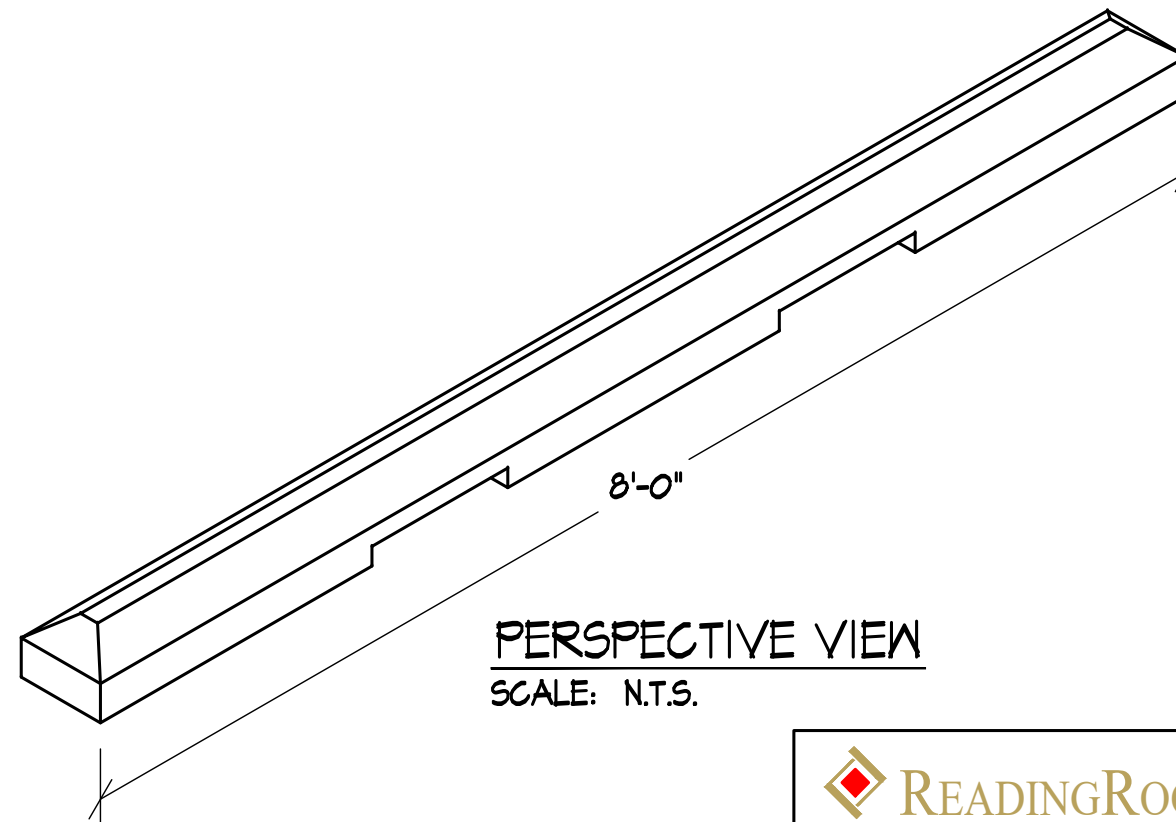


**CURB ELEVATION**  
SCALE: 1 1/2" = 1'-0"




**SECTION "A-A"**  
SCALE: 3" = 1'-0"



**PERSPECTIVE VIEW**  
SCALE: N.T.S.

8' STANDARD W/ SLOTS

 4600 Devitt Drive Cincinnati, Ohio 45246 Phone: (513) 874-2345 Fax: (513) 874-2520		Mold No.	CU-081
		Part No.	B29012081
CUBIC FT.	1.4834	WEIGHT:	214 lbs.