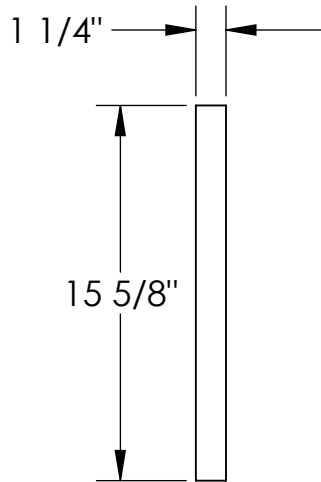
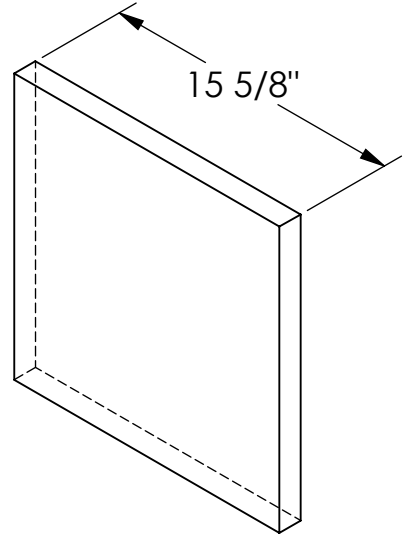


# RockCast Easy Order Form



Profile



Straight

Qty: \_\_\_\_

Mold #/Piece Mark:

**PA-6810-16**

Buffstone   
Crystal White   
Other

 **ROCKCAST**  
4600 DEVITT DRIVE  
CINCINNATI, OHIO 45246

Project:

Approved By: