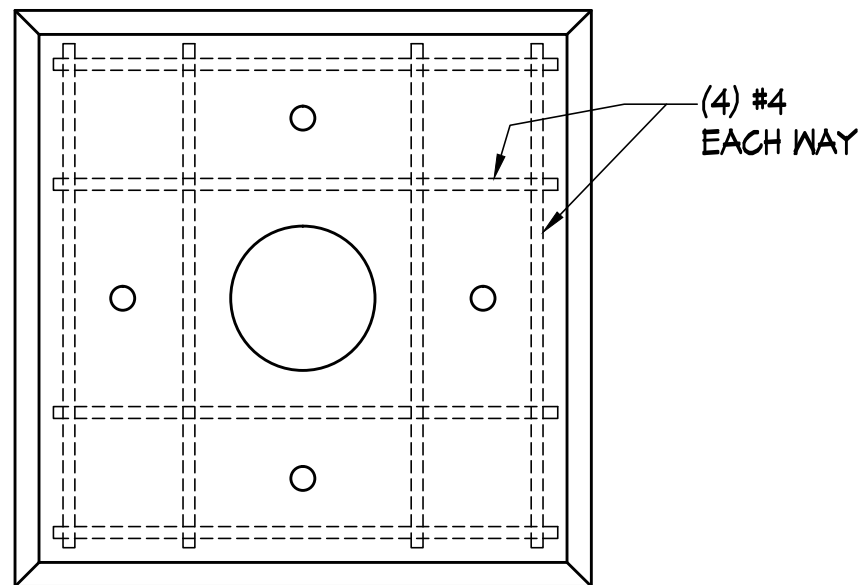
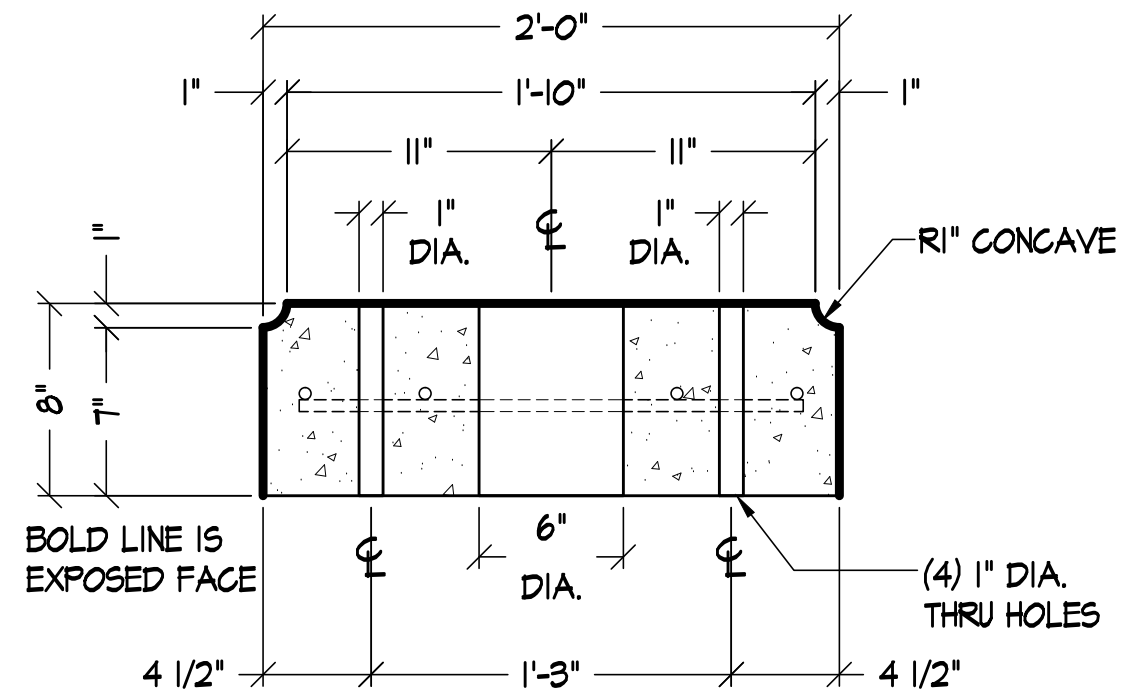


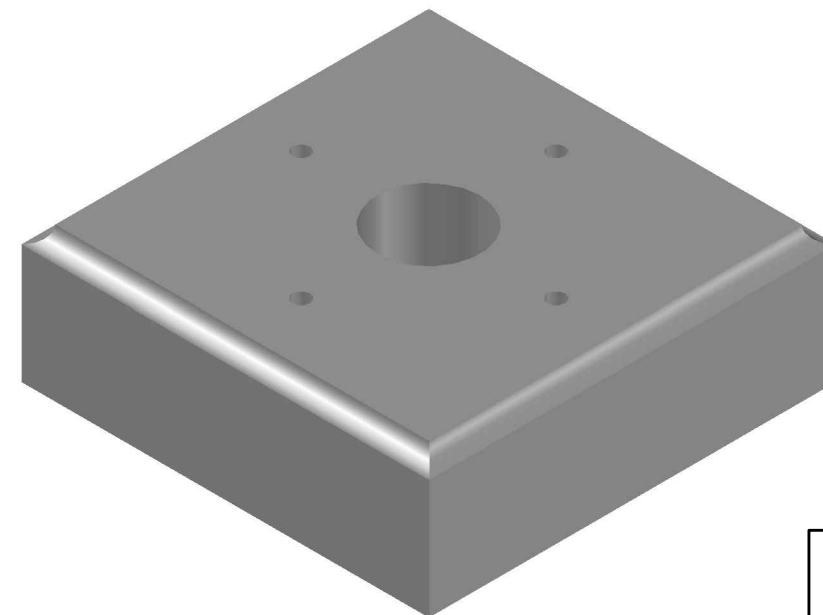
PRECAST PLINTH PLAN
SCALE: 1-1/2" = 1'-0"



PRECAST PLINTH REINFORCEMENT
SCALE: 1-1/2" = 1'-0"



SECTION "A-A"
SCALE: 1-1/2" = 1'-0"



READINGROCKBAXTER
3370 Port Union Rd. Phone: (513) 860-3593
Fairfield, Ohio 45014 Fax: (513) 860-3893

CUBIC FT. 2.4791

WEIGHT: 357 lbs.

PLI-1