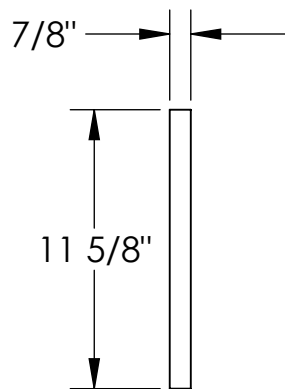
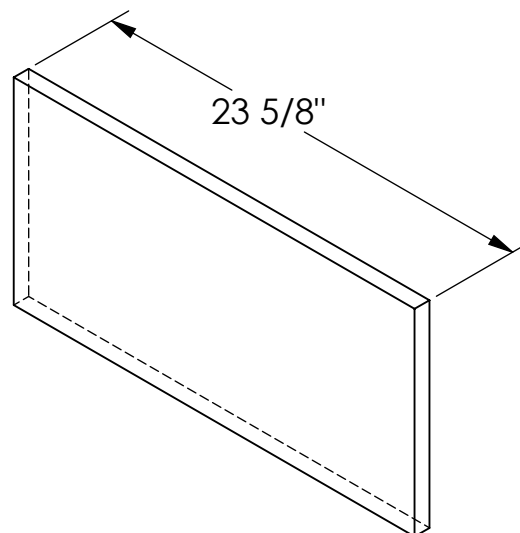


RockCast Easy Order Form



Profile



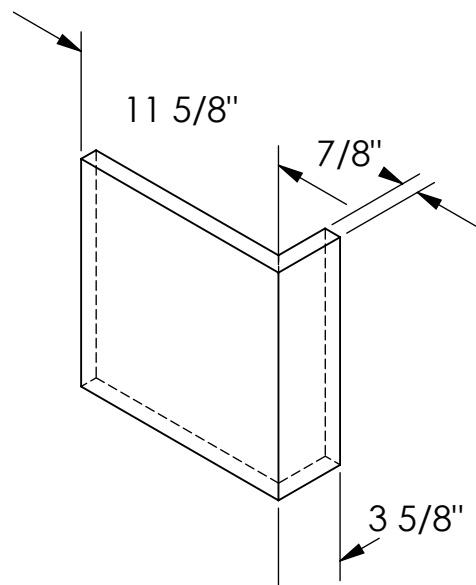
Straight "-8606"

Qty: ____

USE RIGHT RETURN
FLIP OVER FOR
LEFT RETURN


Left Return

Qty: ____



Right Return "-6527"

Qty: ____

<p>Mold #:</p> <p>ST-003</p>		<p>Buffstone <input type="checkbox"/></p> <p>Crystal White <input type="checkbox"/></p> <p>Other <input type="checkbox"/></p>
 <p>4600 DEVITT DRIVE CINCINNATI, OHIO 45246</p>	<p>Project:</p>	<p>Approved By:</p>