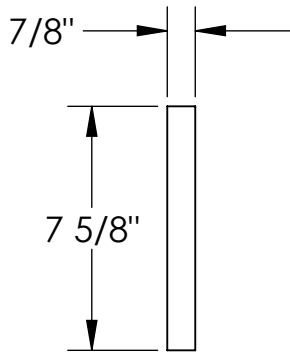
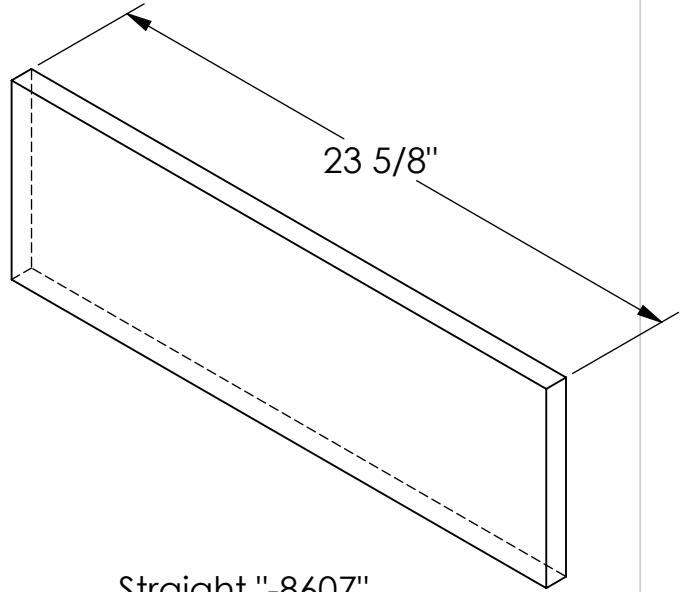


RockCast Easy Order Form



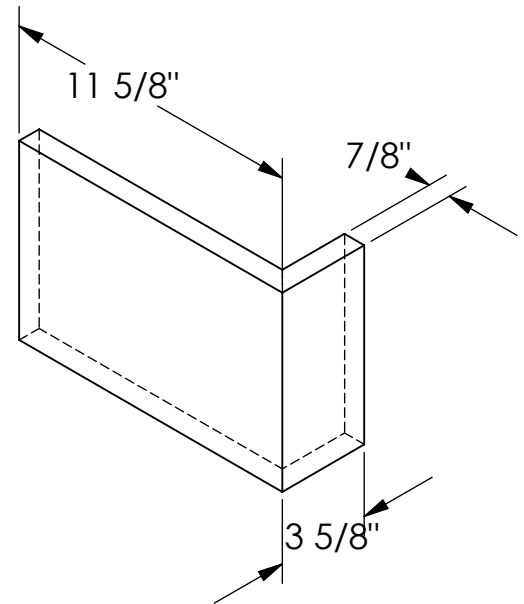
Profile



Straight "-8607"

Qty: ____

USE RIGHT RETURN
FLIP OVER FOR
LEFT RETURN



Left Return

Qty: ____

Right Return "-6528"

Qty: ____

Mold #:

ST-005

Buffstone
Crystal White
Other

 **ROCKCAST**
4600 DEVITT DRIVE
CINCINNATI, OHIO 45246

Project:

Approved By: