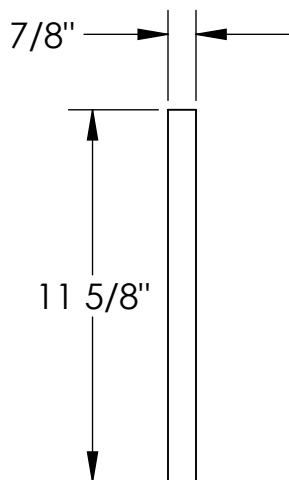
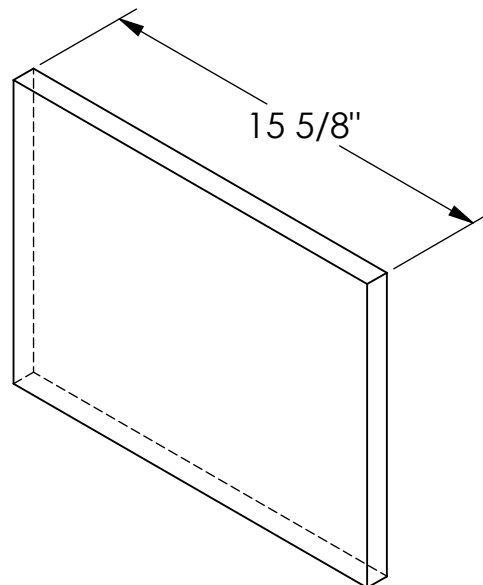


RockCast Easy Order Form



Profile



Straight
Qty: ____

Mold # / Piece Mark:

ST-013-8608

Buffstone
Crystal White
Other

 **ROCKCAST**
4600 DEVITT DRIVE
CINCINNATI, OHIO 45246

Project:

Approved By: