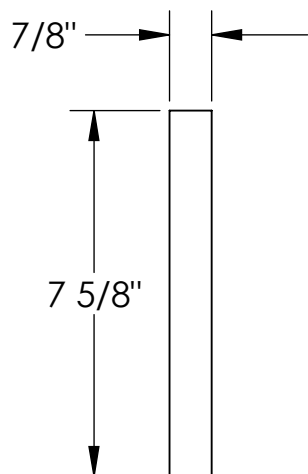
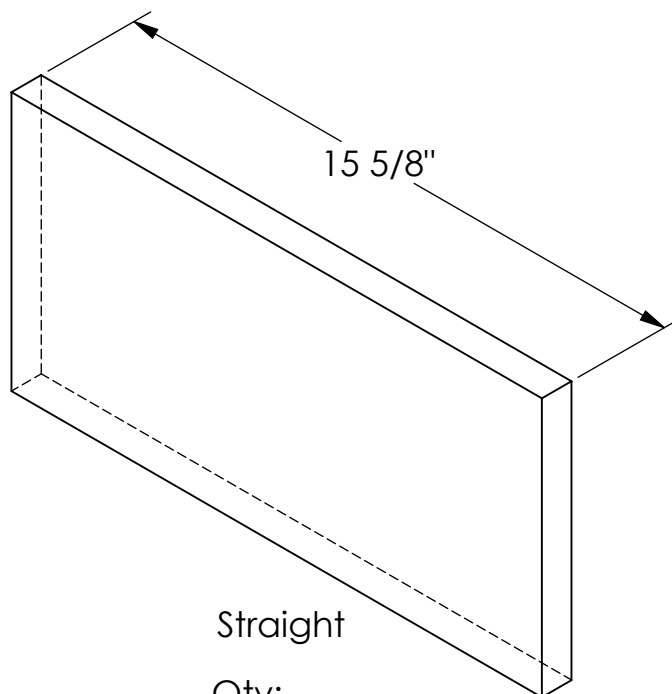


RockCast Easy Order Form




Profile



Straight

Qty: ____

Mold # / Piece Mark: ST-015-8609		Buffstone <input type="checkbox"/> Crystal White <input type="checkbox"/> Other <input type="checkbox"/>
 4600 DEVITT DRIVE CINCINNATI, OHIO 45246	Project:	Approved By: