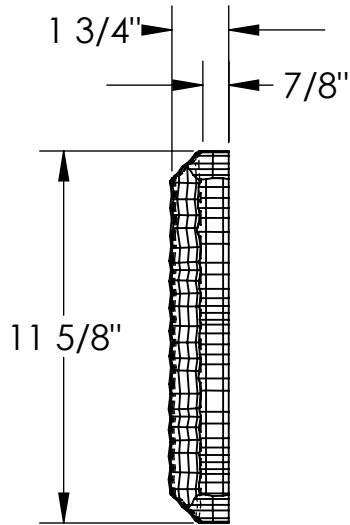
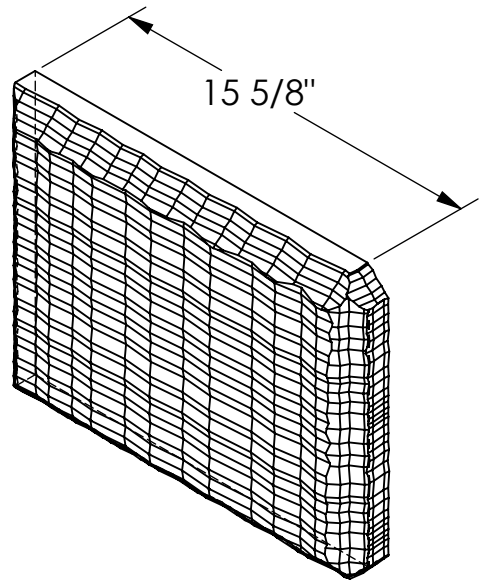


# RockCast Easy Order Form



Profile



USE RIGHT RETURN  
FLIP OVER FOR  
LEFT RETURN

Left Return

Qty: \_\_\_\_

Right Return

Qty: \_\_\_\_

Mold #/ Piece Mark:

**ST-203-16FE-8613**

Buffstone   
Crystal White   
Other



Project:

Approved By: