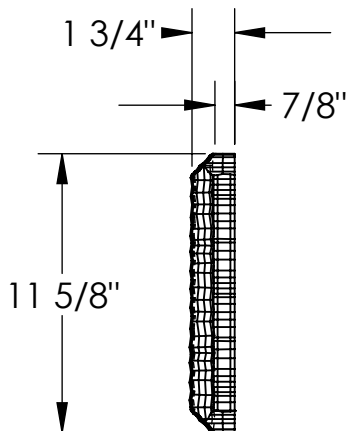
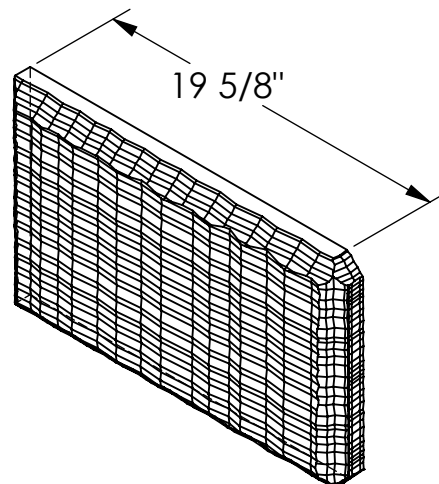


RockCast Easy Order Form



Profile

USE RIGHT RETURN
FLIP OVER FOR
LEFT RETURN




Left Return

Qty: ____

Right Return

Qty: ____

<p>Mold #/ Piece Mark: ST-203-FE-8612</p>		<p>Buffstone <input type="checkbox"/> Crystal White <input type="checkbox"/> Other <input type="checkbox"/></p>
<p> ROCKCAST 4600 DEVITT DRIVE CINCINNATI, OHIO 45246</p>	<p>Project:</p>	<p>Approved By:</p>