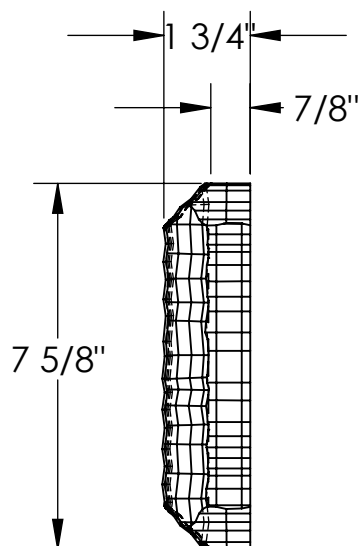
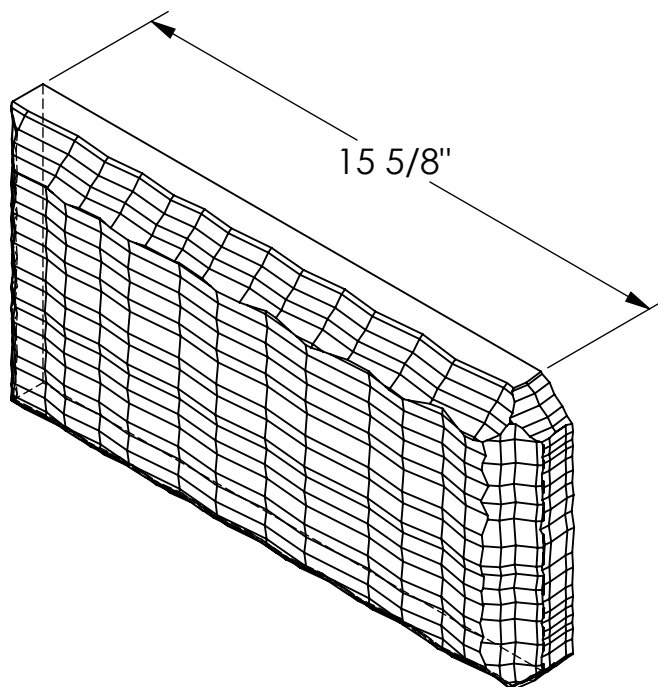


RockCast Easy Order Form



Profile



USE RIGHT RETURN
FLIP OVER FOR
LEFT RETURN

Left Return

Qty: ____

Chiseled Right Return

Qty: ____

Mold #:
ST-205-16FE-8615

Buffstone
Crystal White
Other

 **ROCKCAST**
4600 DEVITT DRIVE
CINCINNATI, OHIO 45246

Project:

Approved By: