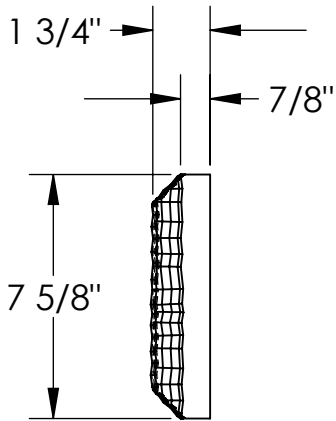
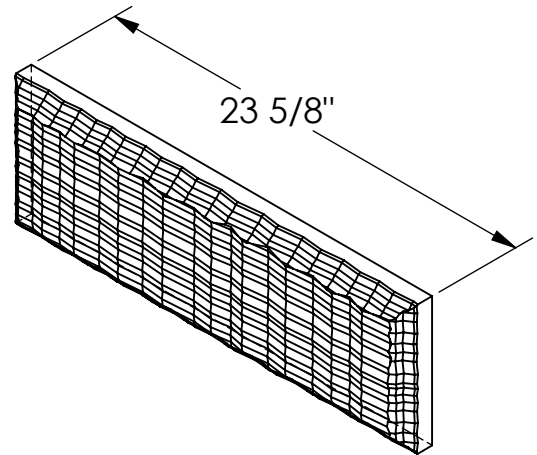


RockCast Easy Order Form



Profile



Chiseled Stretcher

Qty: ____

Mold # / Saw Cut #:

ST-205-8611

Buffstone
 Crystal White
 Other

 **ROCKCAST**
 4600 DEVITT DRIVE
 CINCINNATI, OHIO 45246

Project:

Approved By: