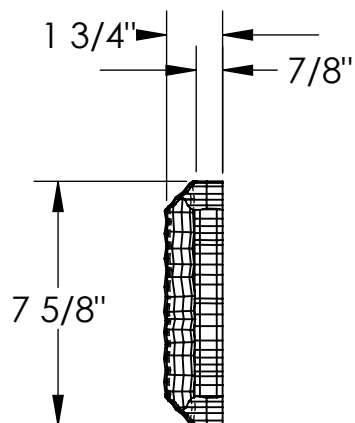
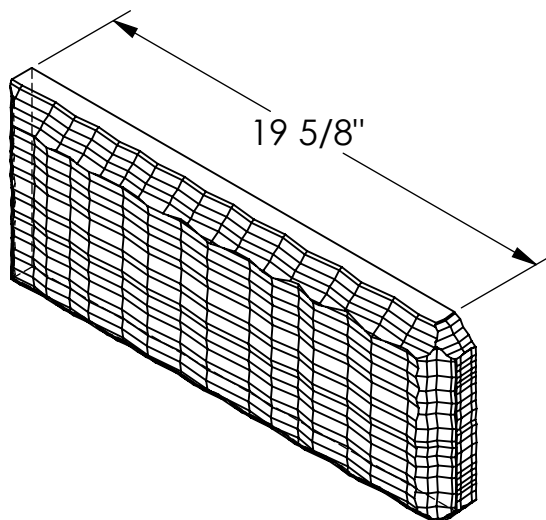


RockCast Easy Order Form



Profile

USE RIGHT RETURN
FLIP OVER FOR
LEFT RETURN




Left Return

Qty: ____

Chiseled Right Return

Qty: ____

<p>Mold # / Piece Mark: ST-205-FE-8614</p>		<p>Buffstone <input type="checkbox"/> Crystal White <input type="checkbox"/> Other <input type="checkbox"/></p>
 <p>4600 DEVITT DRIVE CINCINNATI, OHIO 45246</p>	<p>Project:</p>	<p>Approved By:</p>