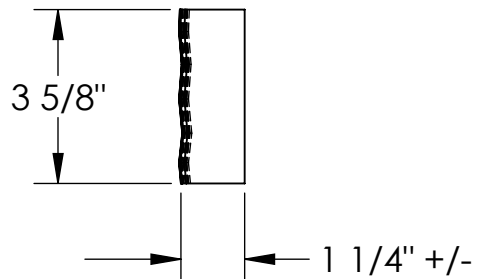
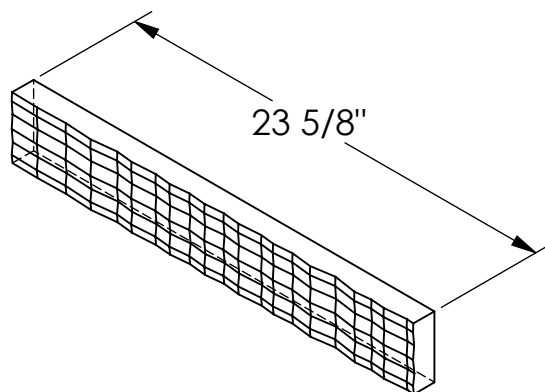


RockCast Easy Order Form




Profile



Split Stretcher

Qty: ____

<p>Mold # / Saw Cut #:</p> <p>ST-304-8603</p>		<p>Buffstone <input type="checkbox"/></p> <p>Crystal White <input type="checkbox"/></p> <p>Other <input type="checkbox"/></p>
 <p>4600 DEVITT DRIVE CINCINNATI, OHIO 45246</p>	<p>Project:</p>	<p>Approved By:</p>