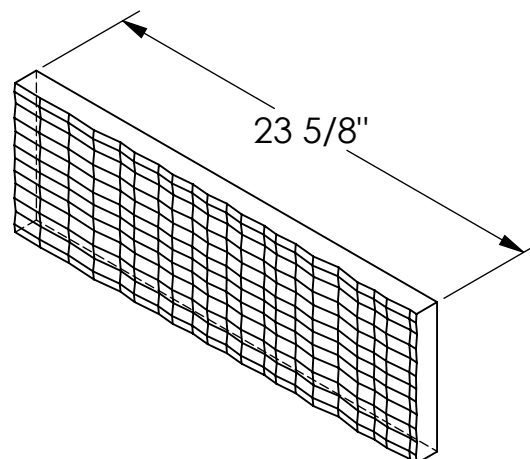
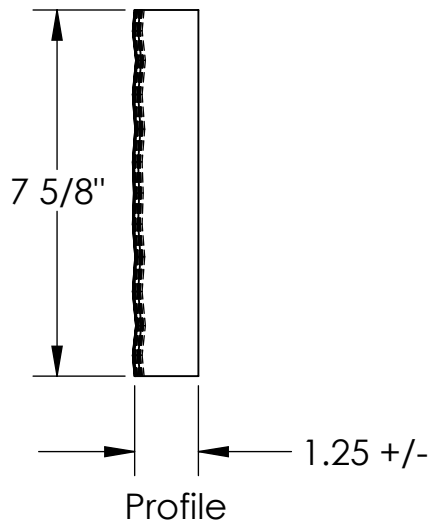



RockCast Easy Order Form



Split Stretcher

Qty: ____

<p>Mold #/Saw Cut #: ST-305-8604</p>		<p>Buffstone <input type="checkbox"/> Crystal White <input type="checkbox"/> Other <input type="checkbox"/></p>
 <p>4600 DEVITT DRIVE CINCINNATI, OHIO 45246</p>	<p>Project:</p>	<p>Approved By:</p>